

WT6000

RS4000/RS5000/RS6000

Series



ZEBRA

Accessories Guide

Charging Options

Single Cradles



WT6000 Single Slot Cradle w/Spares Battery Charger:

CRD-NGWT-1S1BU-01: Single slot USB Cradle, w/spare battery charging, charges one wearable terminal and one spare battery.

Allows USB communication to the device with an additional micro-USB cable.

Requires: Power Supply **PWR-BGA12V50W0WW**, DC Line Cord **CBL-DC-388A1-01** and Country Specific 3 wire AC Line Cord.

Additional accessories for single slot cradle



25-124330-01R

Micro-USB to USB Cable for single slot cradle

PWR-BGA12V50W0WW

Level VI AC/DC Power Supply (Brick, replacement for PWR-14000-148R)

AC Input: 100-240V, 2.4A

DC Output: 12V, 4.16A, 50W

Requires: DC line cord and Country specific grounded AC line cord.



CBL-DC-388A1-01

DC Line Cord for running the single slot cradles or battery chargers from a single Level VI power supply PWR-BGA12V50W0WW, Level VI replacement for PWR-14000-148R.



23844-00-00R

US AC line cord, 7.5 feet long, grounded, three wire for power supplies.

Charging LED indicators

Off	Battery not charging
Solid Amber	Healthy battery charging
Solid Green	Healthy battery charging complete
Fast Blink Red	Charging error
Solid Red	Unhealthy battery

Charging Options

Single Cradles



RS6000 Single Slot Cradle w/Spares Battery Charger:

CRD-NGRS-1S1BU-01: Single slot USB Cradle, w/spare battery charging, charges one ring scanner and one spare battery.

Allows USB communication to the device with an additional micro-USB cable.

Requires: Power Supply **PWR-BGA12V50W0WW**, DC Line Cord **CBL-DC-388A1-01** and Country Specific 3 wire AC Line Cord.

Additional accessories for single slot cradle



25-124330-01R

Micro-USB to USB Cable for single slot cradle



PWR-BGA12V50W0WW

Level VI AC/DC Power Supply (Brick, replacement for PWR-14000-148R)

AC Input: 100-240V, 2.4A

DC Output: 12V, 4.16A, 50W

Requires: DC line cord and Country specific grounded AC line cord.



CBL-DC-388A1-01

DC Line Cord for running the single slot cradles or battery chargers from a single Level VI power supply PWR-BGA12V50W0WW, Level VI replacement for PWR-14000-148R.



23844-00-00R

US AC line cord, 7.5 feet long, grounded, three wire for power supplies.

Charging LED indicators

Off	Battery not charging
Solid Amber	Healthy battery charging
Solid Green	Healthy battery charging complete
Fast Blink Red	Charging error
Solid Red	Unhealthy battery

Charging Options

Two-Slot Cradle



WT6000/RS6000 Two Slot Cradle:

CRD-NWTRS-2SUCH-01: 2slot USB Cradle, charges one wearable terminal and one ring scanner.

Allows USB communication to each device with an additional micro-USB cable.

Requires: Power Supply **PWR-BGA12V50W0WW**, DC Line Cord **CBL-DC-388A1-01** and Country Specific 3 wire AC Line Cord.

Additional accessories for single slot cradle



25-124330-01R

Micro-USB to USB Cable for single slot cradle

PWR-BGA12V50W0WW

Level VI AC/DC Power Supply (Brick, replacement for PWR-14000-148R)

AC Input: 100-240V, 2.4A

DC Output: 12V, 4.16A, 50W

Requires: DC line cord and Country specific grounded AC line cord.



CBL-DC-388A1-01

DC Line Cord for running the single slot cradles or battery chargers from a single Level VI power supply PWR-BGA12V50W0WW, Level VI replacement for PWR-14000-148R.



23844-00-00R

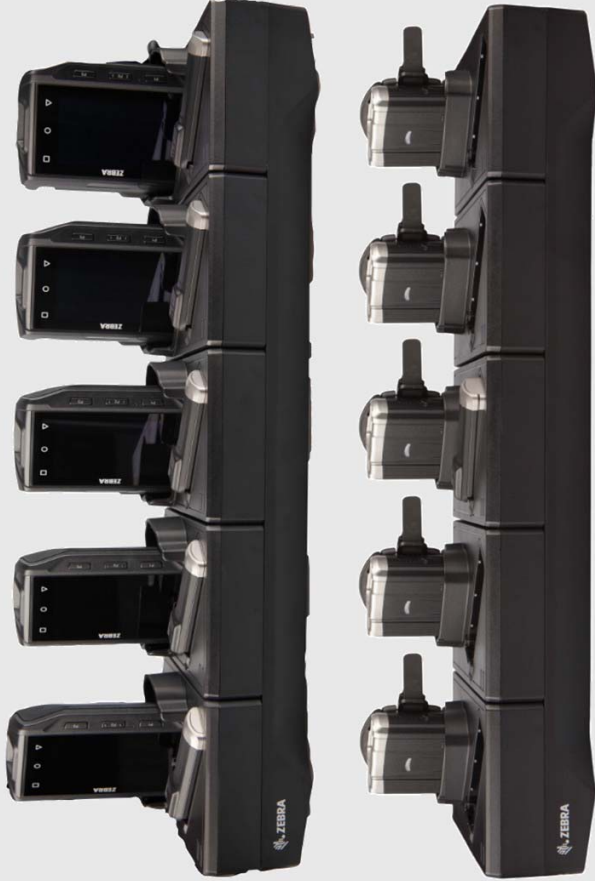
US AC line cord, 7.5 feet long, grounded, three wire for power supplies.

Charging LED indicators

Off	Battery not charging
Solid Amber	Healthy battery charging
Solid Green	Healthy battery charging complete
Fast Blink Red	Charging error
Solid Red	Unhealthy battery

Charging Options

Five-Slot Cradles



Five-Slot Cradle options:

CRD-NGWT-5S5BC-01: WT6000 5Slot Charge Only Cradle w/Spare Battery Charger, charges up to 5 wearable terminals and 5 spare batteries.

CRD-NGRS-5S5BC-01: RS6000 5Slot Charge Only Cradle w/Spare Battery Charger, charges up to 5 ring scanners and 5 spare batteries.

CRD-NGWT-5S5BE-01: WT6000 5Slot Ethernet Cradle w/Spare Battery Charger, charges up to 5 ring scanners and 5 spare batteries.

CRD-NGRS-5S5BE-01: RS6000 5Slot Ethernet Cradle w/Spare Battery Charger, charges up to 5 ring scanners and 5 spare batteries.

All Cradles Require: Power Supply **PWR-BGA12V108W0WW**, DC Cord **CBL-DC-381A1-01** and Country Specific 3 wire AC Line Cord.

Additional accessories

PWR-BGA12V108W0WW

Level VI AC/DC Power Supply (Brick, Replacement for PWR-S-14000-241R)

AC Input: 100-240V, 2.8A

DC Output: 12V, 9A, 108W

Requires: DC line cord and Country specific grounded AC line cord.



CBL-DC-381A1-01

DC Line Cord for running multi-slot cradles from a single Level VI power supply PWR-BGA12V108W0WW, Level VI replacement for PWR-S-14000-241R



23844-00-00R

US AC line cord, 7.5 feet long, grounded, three wire for power supplies.



BRKT-SCRD-SMRK-01

Rack/Wall Mounting bracket for multi-slot cradles.



Charging LED indicators

Off	Battery not charging
Solid Amber	Healthy battery charging
Solid Green	Healthy battery charging complete
Fast Blink Red	Charging error
Solid Red	Unhealthy battery

Charging Options

Ten-Slot Cradles



Ten-Slot Cradle options:

CRD-NWTRS-10SCH-01: WT6000/RS6000 10Slot Charge Only Cradle, charges up to 5 wearable terminals and 5 ring scanners.

CRD-NGWT-10SCH-01: WT6000 10Slot Charge Only Cradle, charges up to 10 wearable terminals.

CRD-NGRS-10SCH-01: RS6000 10Slot Charge Only Cradle, charges up to 10 ring scanners

All Cradles Require: Power Supply **PWR-BGA12V108W0WW**, DC Cord **CBL-DC-381A1-01** and Country Specific 3 wire AC Line Cord.

Additional accessories

PWR-BGA12V108W0WW

Level VI AC/DC Power Supply (Brick, Replacement for PWR-14000-241R)

AC Input: 100-240V, 2.8A

DC Output: 12V, 9A, 108W

Requires: DC line cord and Country specific grounded AC line cord.



CBL-DC-381A1-01

DC Line Cord for running multi-slot cradles from a single Level VI power supply PWR-BGA12V108W0WW, Level VI replacement for PWR-14000-241R



23844-00-00R

US AC line cord, 7.5 feet long, grounded, three wire for power supplies.



BRKT-SCRD-SMRK-01

Rack/Wall Mounting bracket for multi-slot cradles.



Charging LED indicators

Off	Battery not charging
Solid Amber	Healthy battery charging
Solid Green	Healthy battery charging complete
Fast Blink Red	Charging error
Solid Red	Unhealthy battery

Multi-Slot Cradle Installations



Battery / battery charging accessories

3350 mAh Battery



BTRY-NWTRS-33MA-01

PowerPrecision+ Lithium Ion battery, 3350 mAh. Advanced battery technology, provides higher level of intelligence (State of Charge and State of Health)for wearable terminal or ring scanner.

Accessories for battery chargers:

PWR-BGA12V50W0WW

Level VI AC/DC Power Supply

AC Input: 100-240V, 2.4A

DC Output: 12V, 4.16A, 50W

Requires: DC line cord and Country specific grounded AC line cord.



CBL-DC-388A1-01

DC Line Cord for running the single slot cradles or battery chargers from a single Level VI power supply PWR-BGA12V50W0WW.



PWR-BGA12V108W0WW

Level VI AC/DC Power Supply

AC Input: 100-240V, 2.8A

DC Output: 12V, 9A, 108W

Requires: DC line cord and Country specific grounded AC line cord.



CBL-DC-381A1-01

DC Line Cord for running multi-slot cradles from a single Level VI power supply PWR-BGA12V108W0WW.



23844-00-00R

US AC line cord, 7.5 feet long, grounded, three wire for power supplies.



BRKT-SCRD-SMRK-01

Rack/Wall Mounting bracket for multi-slot cradles and 20slot battery charger.



Spare Battery Charging Options:



SAC-NWTRS-4SCH-01: 4-slot battery charger, charges four spare batteries. **Requires:** Power Supply **PWR-BGA12V50W0WW**, DC Line Cord **CBL-DC-388A1-01** and Country Specific 3 wire AC Line Cord.



SAC-NWTRS-20SCH-01: 20-slot battery charger, charges 20 spare batteries. **Requires:** Power Supply **PWR-BGA12V108W0WW**, DC Cord **CBL-DC-381A1-01** and Country Specific 3 wire AC Line Cord.

Cables/Adapters

USB/Charge Cable

CBL-NGWT-USBCHG-01

Provides USB communication and charge to the wearable terminal.

Requires: Power supply PWR-BUA5V16W0WW, DC Line Cord

CBL-DC-383A1-01 and un-grounded country specific AC line cord.



Audio Cables

CBL-NGWT-AUQDLG-01

Audio adapter cable, compatible with quick-disconnect wired headsets.

Compatible while the device is worn on the hip.

Requires: QD headset.



CBL-NGWT-AUQDST-01

Audio adapter cable, compatible with quick-disconnect wired headsets.

Compatible while the device is worn on the wrist.

Requires: QD headset.



Other Cables

CBL-NGWT-HDVBAP-01

Vibrating cable, connects directly to the wearable terminal and provides additional haptic feedback to the user.



PWR-BUA5V16W0WW

Level VI AC/DC Power Supply

AC Input: 100-240V, 0.6A

DC Output: 5.4V, 3A, 16W

Requires: DC line cord and Country specific un-grounded AC line cord.



CBL-DC-383A1-01

DC Line Cord for running single slot cradles or charging cables from a single Level VI power supply PWR-BUA5V16W0WW.



50-16000-182R

US AC line cord, un-grounded, two-wire.



RCH51

Rugged wired headset with quick-disconnect



25-129938-02R

Training cable - connects two wired headsets to one mobile computer

Soft-Goods

Wearable Terminal



Wrist Mount options:

SG-NGWT-WRMTS-01: WT6000 Wrist Mount, includes carrier, comfort pad and small/medium strap.

SG-NGWT-WRMTL-01: WT6000 Wrist Mount, includes carrier, comfort pad and medium/large strap.

Additional accessories



SG-NGWT-WSTPST-01
Spare replacement strap for wrist mount (small/medium)



SG-NGWT-WSTPLN-01
Spare replacement strap for wrist mount (medium/large)



SG-WT4027050-01R
Optional arm sleeves for wrist mount (pack of 5)



SG-NGWT-CMPD-01
Replacement comfort pad for wrist mount.

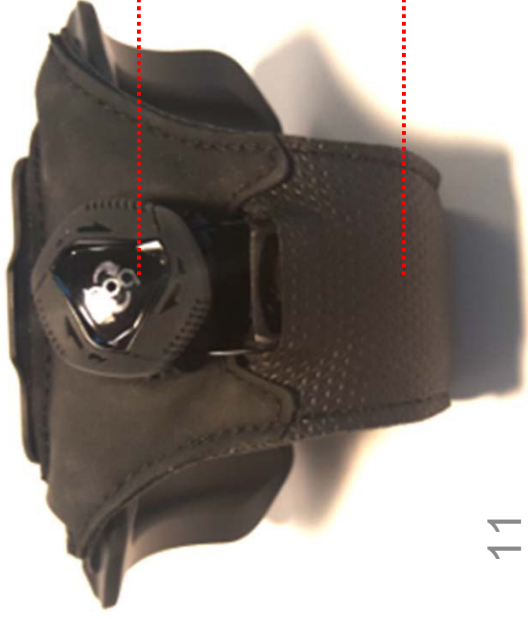


SG-NGWT-HPMNT-01
Hip-mount for wearable terminal, allows to use the device on the hip.

Soft-Goods: Wrist Mount



- **Velcro removed**
- **One Adjustable strap instead of two**
- **Integrated BOA closure system**
 - Strong
 - Durable
 - Easy to use
- **Specific Materials chosen for hygienic reasons**
 - Can be cleaned down on site
 - Non absorbent



BOA closure system

Specific Materials chosen for grip and wipe down qualities

Soft-Goods: Comfort Pad

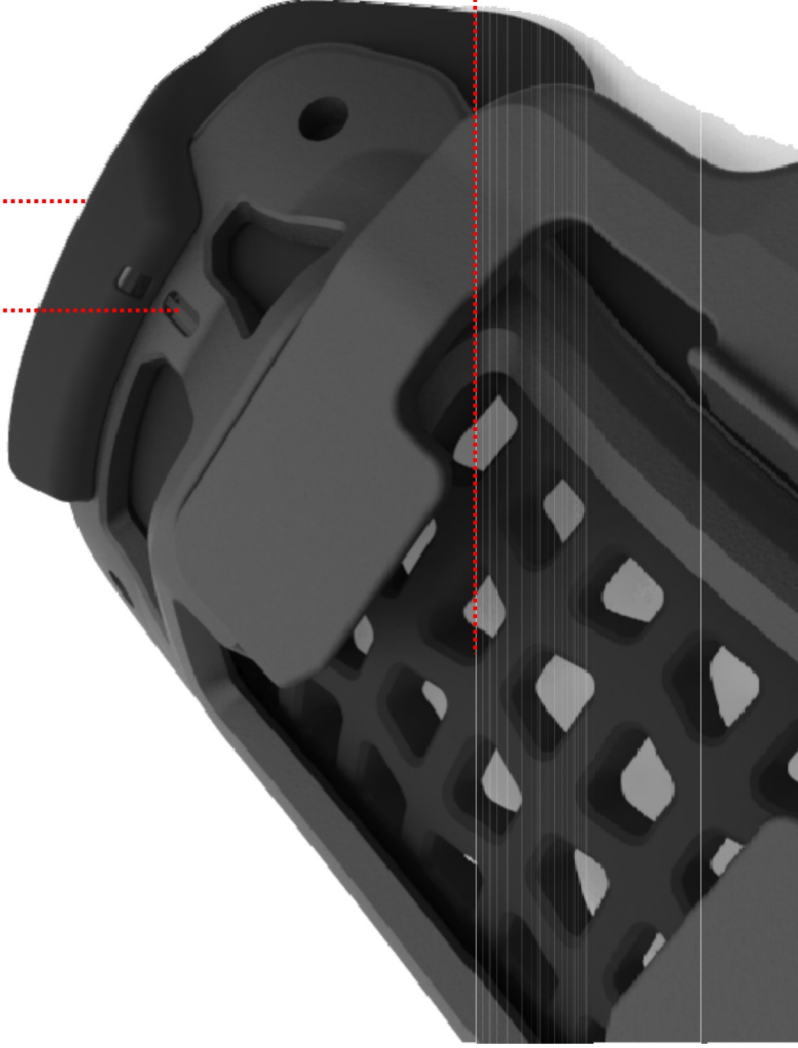
Orientation Feature

Allows user to know which way to replace the comfort pad

Large Over lap

- Retains comfort pad to carrier
- Easy to peel off the comfort pad when wanting to remove

Airflow Pattern for breathability

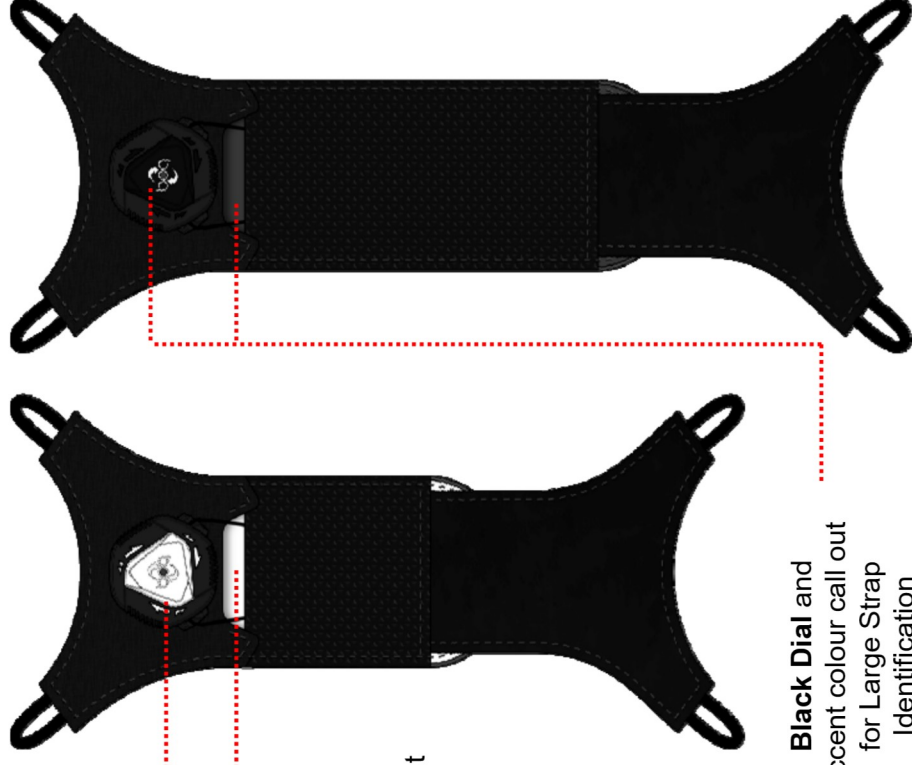


Soft-Goods: Wrist Strap

Two size straps to cover the many various sizes of users

Small Strap

Large Strap



Soft-Goods RS4000 Ring Scanner

Spare Accessories for RS4000 Ring Scanner



21-93022-03R

RS5000 Standard Spare Finger Strap
(Single Pack, 6" length)



SG-RS419-FGSTP-02R

RS5000 Extended Spare Finger Strap
(Single Pack, 7.8" length)



SG-RS419-TRGAS-01R

RS5000 Replacement Trigger
Assembly

Soft-Goods

RS5000 Ring Scanner

Spare Accessories for RS5000 Ring Scanner



SG-NGRS-SFSVS-01R

RS5000 Standard Spare Finger Strap
(Single Pack, 6" length)



SG-RS419-FGSTP-02R

RS5000 Extended Spare Finger Strap
(Single Pack, 7.8" length)



SG-NGRS-SFRVPD-05

RS5000 Replacement Velcro
Pads for Wrist Mount
(Pack of 5 units)



SG-NGRS-TRGASR-01R

RS5000 Replacement Trigger
Assembly

Soft-Goods

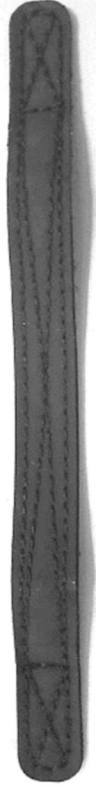
RS6000 Ring Scanner

Spare Accessories for RS6000 Ring Scanner



SG-NGRS-STRPKV-10

RS6000 Spare velcro finger straps for trigger configuration (pack of 10 units). Order buckles SG-NGRS-STBKLV-10 separately.



SG-NGRS-STRP2VK-10

RS6000 spare velcro finger straps for trigger-less configuration (10-pack). Order buckles SG-NGRS-STBKLV-10 separately.



SG-NGRS-STBKLV-10

RS6000 Spare buckles for velcro finger strap (pack of 10 units) Order velcro finger straps separately, use one buckle with trigger configuration and two buckles with trigger-less configuration.



SG-NGRS-TRGA-01

RS6000 replacement trigger swivel assembly. Order finger straps SG-NGRS-STRPKV-10 and buckles SG-NGRS-STBKLV-10 separately



SG-NGRS-CMPD-01

RS6000 Replacement comfort pads, to be used with manual trigger and trigger-less configurations. Pack includes front and back comfort pads.



SG-NGRS-TRLH-01

RS6000 Replacement strap holder, for trigger-less configurations. Order finger straps SG-NGRS-STRP2VK-10 and buckles SG-NGRS-STBKLV-10 separately